

Multiplexing CEMS Management System

PROCESS & EMISSIONS MONITORING SYSTEMS

MVS 2M is a multichannel system allowing to distribute two, three or four channels of fluids and signals to a gas monitoring system (GMS). Its function is to link the GMS with the sampling systems for gas and span gas, and to allow the redundancy function.



MVS 2M non-heated

MVS 2M heated

SPECIFIC FEATURES:

For stacks, the sampling is carried out using the HOFI boxes (MVS 2M – heated version) or the SEC probes (MVS 2M – not-heated version). Other sampling systems are possible on request. The redundancy functions are only ensured for the sampling boxes, DTP (flow-temperature-pressure) function included. All other measurements (dust, mercury, etc.) are not taken into account by the MVS 2M.

- Data communication and control functions are ensured by Ethernet, serial link or dry contact
- No influence from the pressure
- Back-up of RAM memorized data and real time clock
- Interactive menu-driven software with LCD display allowing ease of operation
- All the ENVEA's gas sampling systems can be used with dry or heated MVS multiplexing solutions (2 to 4 channels)
- Over 1,000 installations worldwide, covering many applications and industries
- Available in 2 versions:
 - MVS 2M heated, to be used with HOFI sampling system and MIR 9000H / MIR FT / Graphite 52 M gas monitors
 - MVS 2M non-heated, to be used with SEC sampling system and MIR 9000 / MIR 9000CLD / MIR IS monitors

MAIN APPLICATIONS:

- > Cogeneration, Gas Turbines
- > Industrial Boilers
- > Furnaces
- > Power & Combustion
- > Cement plants
- > Incinerators...

Multiplexing CEMS Management System **MVS 2M**

MVS 2M supplies GMS with measurement gas exclusively through one channel, or sequentially through two, three or four channels. This equipment is slave of the Central Control Desk (PCC), even if it is possible to manually control MVS 2M from LCD screen mounted on the front panel.

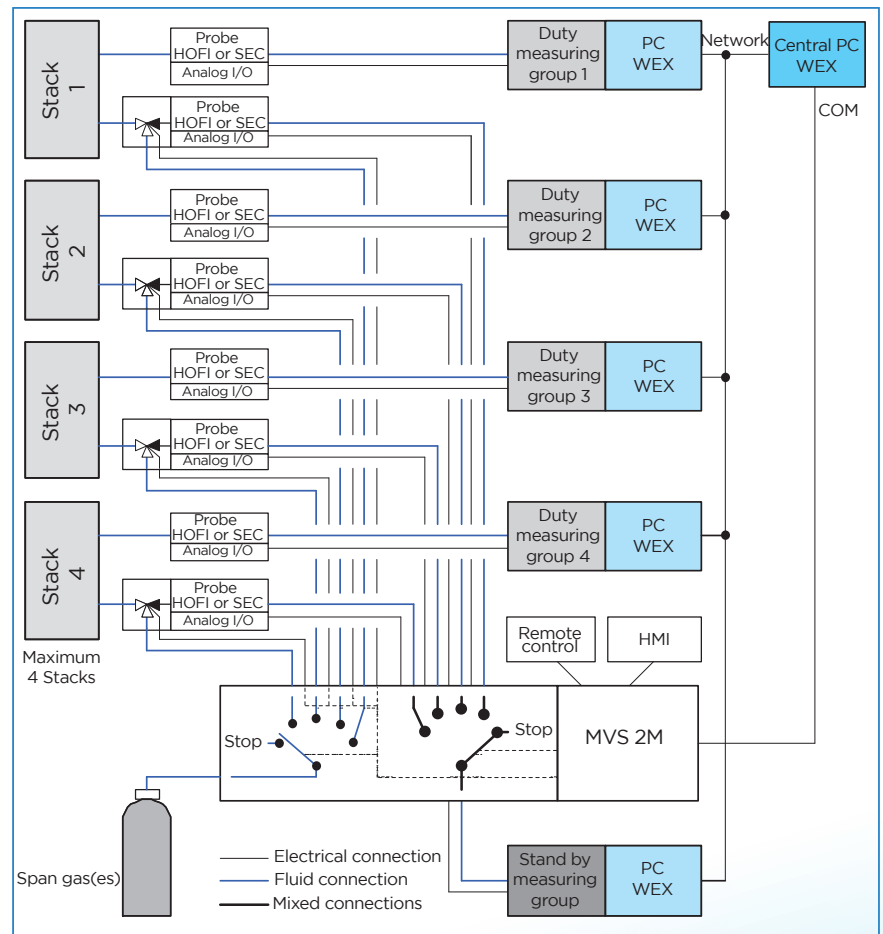
Manual control consists in switching the sample fluid from one of the channels to the stand-by group of analyzers. The alarms management, ensured by the PCC, has priority and is automatically managed (deactivation possible). In addition, ensuring stand-by function of the sampling boxes (alarms and DTP) means that the equipment receives logic and analog signals from the whole channels then sends back to the stand-by measurement group the logic and analog signals only corresponding to the stood-in channel.

The control desk will receive from the MVS 2M one alarm per sampling box, heated line included, and one alarm for the MVS 2M (option).

MAIN OPTIONS:

- 3 multiplexed analog outputs (4-20 mA) per channel for transmission of DTP signals (flow rate, temperature, pressure)
- Analog outputs : 0/10V - 0/4-20 mA programmable, 2 numeric outputs : RS232/RS422, COM1 and COM2
- CEMS software WEX™

Multiplexing of MVS 2M for 4 stacks
- heated or non-heated version



MVS-2M_EN_10.2019 - The ENVEA Group has a policy of continuous improvement of its products and we reserve the right to update or modify specifications without notice.

TECHNICAL SPECIFICATIONS

	Heated version	Unheated version
Pre ventilation of gas sample or bleeding air	100-200 l/h	15-30 l/h
Compressed air pressure	5.5 bar mini	N/A
Compressed air consumption (dry and oil free)	0.5 to 1 m ³ /h	N/A
Electric consumption	700 W (2 channels) / 1000 W (3 channels) 1300 W (4 channels) + 110 W per meter of heated line	150W
Communication port	RS232/RS422, Ethernet	
Operating temperature	+5°C to +40°C	
Working temperature	180°C	ambient T°
Alarm checking	Permanent: display or bargraphs indication with WEX software Thermal alarms: alarms T°C <175°C – 190°C > alarms T°C,	Permanent: display or bargraphs indication with WEX software
Ejector	Built-in, heated	N/A
Dimensions (DxWxH)	300x600x800 mm	200x400x600 mm
Weight (kg)	15 kg	10 kg



ENVEA (Headquarters)
111 Bd Robespierre - CS 80004
78300 Poissy / Cedex 4 - FRANCE
☎ +33(0) 1 39 22 38 00
✉ info@envea.global



Visit us on:
www.envea.global

